

JVC

SERVICE MANUAL

HANDS FREE KIT FOR MOBILE PHONES

TF-HF40(J)/TF-HF40-NK(J)

The "Product Exchange System" is applicable to this product.
For limited spare parts, refer to the parts list.



TF-HF40(J)



TF-HF40-NK(J)

Specifications

Earphone section		Microphone section	
Type	Moving coil	Type	Electrical condenser
Nominal impedance	32 ohms	Directivity	Non-directional
Sensitivity	98 dB/1 mW	Sensitivity	-60 dB(0dB=1V/0.5Pa)
Max.input capability	30 mW	Accessory	Plug adaptor for Nokia (for NK model only)
Cord length	1.2 m (3.94 ft) with 2.5mm triple-pole plug		
Mass	19g (0.67 oz) without cord 30g (1.06 oz) with cord		

Design and specifications subject to change without notice.

Creating an original model (Plate replacement)

JVC **TF-HF40**

Creating an original model(Plate replacement)

● Detaching the design plates

① Hook your fingernails on the raised parts of the ring as shown in the figure above. Turn the ring about 30 degrees to the left to detach it.
 *Be careful not to damage your fingernails, if the ring is too hard to turn, use something else other than your fingernails to turn it.

② Turn the unit upside down as shown in the figure to detach the cap, film and design plate.

● Inserting original/additional design plates

① **Original/additional design plate**
 Ring
 Cap
 Film
 Design plate

② **Rear of the ring**

Insert your original or an additional design plate and the cap in the proper order onto the unit, attaching the raised part of the design plate and cap to the indented part of the headphone.
 * If your original plates are too thin to fit properly in the unit, place supplied design plates under your originals to secure them tightly.

Insert the ring, attaching the 3 lines marked on the rear of the ring to position R displayed on the unit.

Turn the ring about 30 degrees to the right until it clicks.

■ You can download a variety of graphic plate designs from our World Wide Web server, and print out the designs you like.
 (http://www.jvc.com)

Using the earphone

TF-HF40(J)
Hands Free Kits for Mobile Phones
 For Mobile Phone / Cellular Phone with a ϕ 2.5mm triple-pole plug.

Using the earphone

Place the Ear Hook over your ear and adjust the Ear Hook position to fit your ear.

Push the Ear Hook slightly.

To the ϕ 2.5mm earphone jack.

MICROPHONE
 VOICE MUTING BUTTON
 Mobile phone/Cellular phone

TF-HF40-NK(J)
Hands Free Kits for Mobile Phones
 For Mobile Phone / Cellular Phone with a ϕ 2.5mm triple-pole plug.
 including NOKIA 71xx/61xx/51xx Adapter

Using the earphone

Place the Ear Hook over your ear and adjust the Ear Hook position to fit your ear.

Push the Ear Hook slightly.

To the ϕ 2.5mm earphone jack or including Adapter.

MICROPHONE
 VOICE MUTING BUTTON
 Mobile phone/Cellular phone

Disassembly

*Cord

*Driver Unit Ass'y

*Housing Ass'y

1, 2, 3, 4, 5, 6

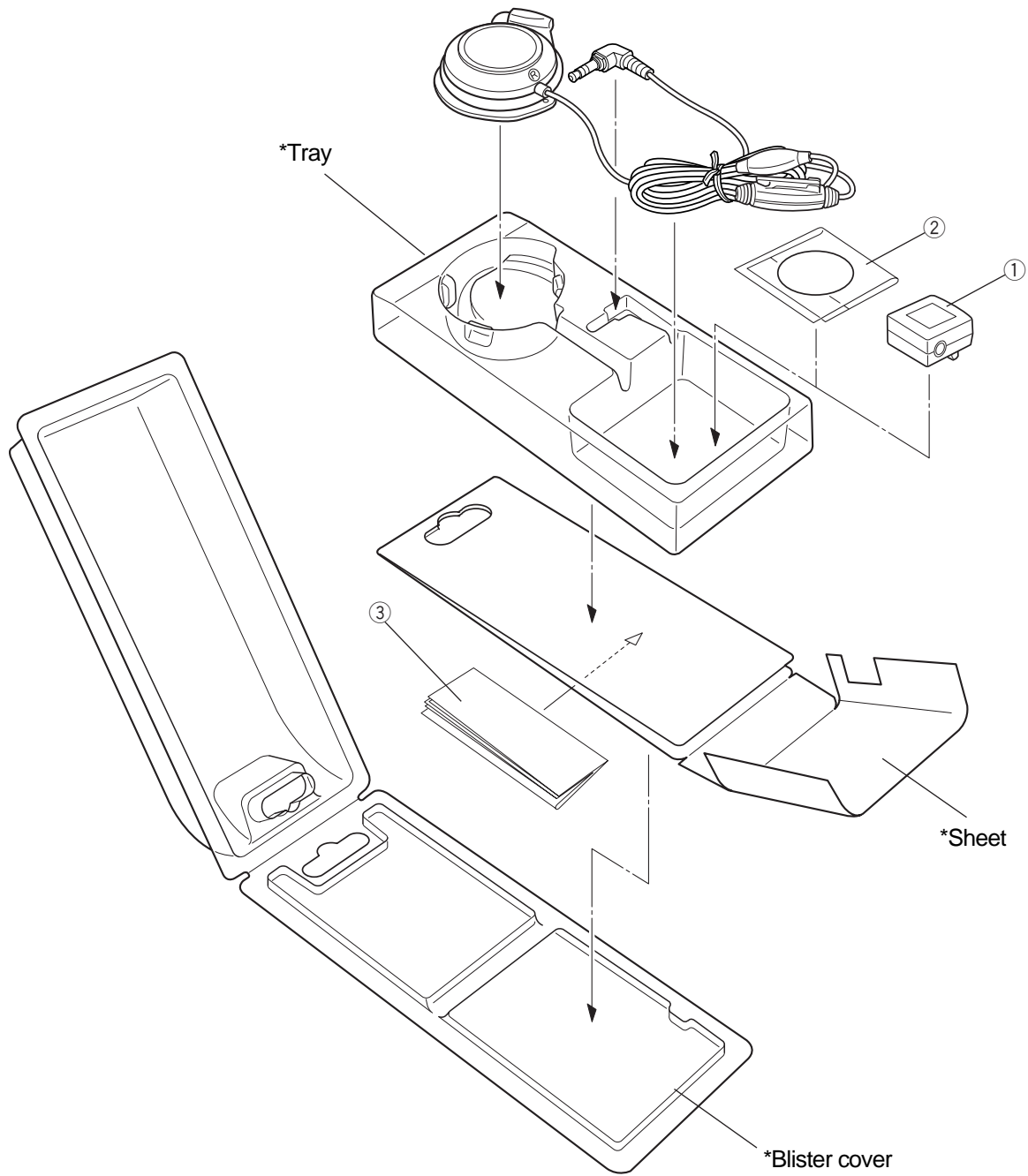
Note : These parts which was marked (*) will not be able to supply as our service parts.

■ Parts List

Δ	Item No.	Parts No.	Parts Name	Q'ty	Description
	1	J46773-001	Pad Urethan	1	
	2	J46772-001	Ear Pad	1	
	3	J46727-001	Ring	1	
	4	J46726-001	Cap	1	
	5	J46771-008	film	1	
	6	J46738-001	Sheet	1	Hologram

*Parts marked (Δ) are safety parts. When replacing, be sure to use the specified one.

Packing Method



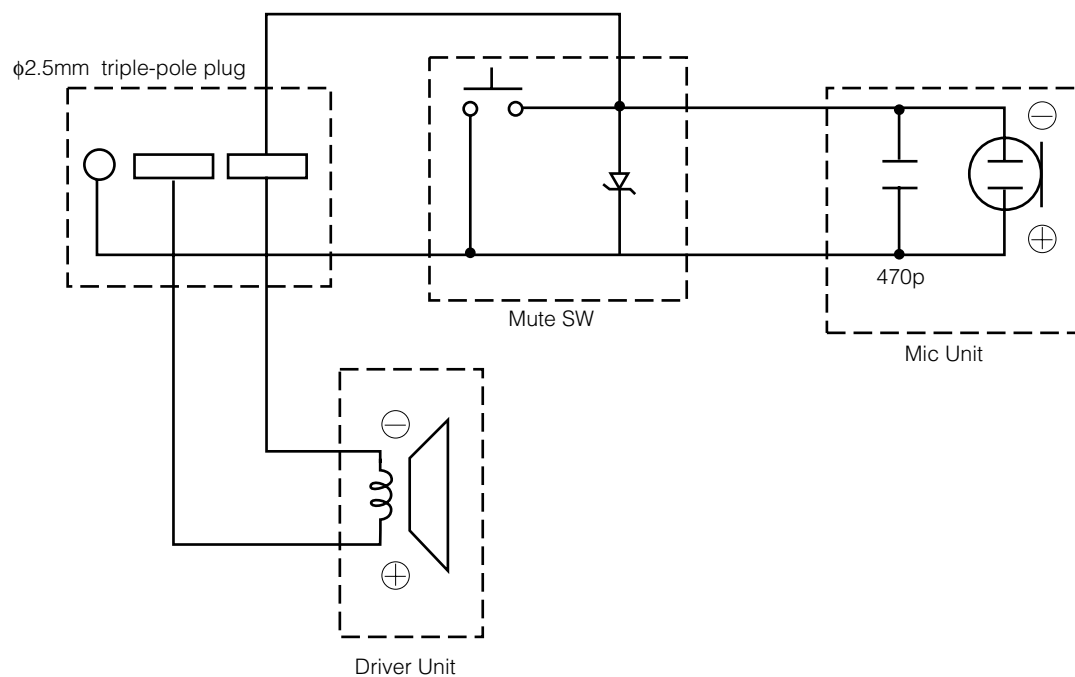
Note : These parts which was marked (*) will not be able to supply as our service parts.

■ Parts List

△	Item No.	Parts No.	Parts Name	Q'ty	Description
	1	J46980-002	Adaptor	1	for NK model only
	2	J46771-009	Film	1	Pink
	3	BT-51007-5	Warranty infomation card	1	

*Parts marked (△) are safety parts. When replacing, be sure to use the specified one.

Wiring Diagram



JVC

VICTOR COMPANY OF JAPAN, LIMITED

AV ACCESSORY DIVISION, YAMATO PLANT, 1644, SHIMOTSURUMA, YAMATO-SHI KANAGAWA-KEN, 242-8514, JAPAN